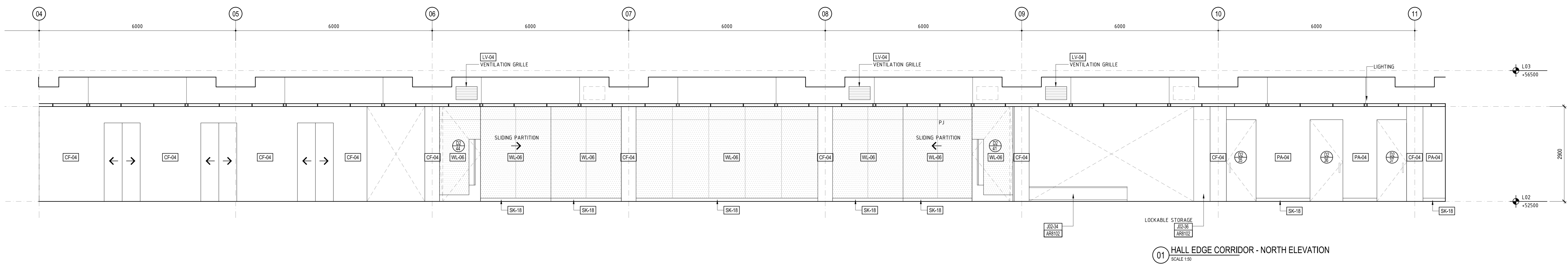
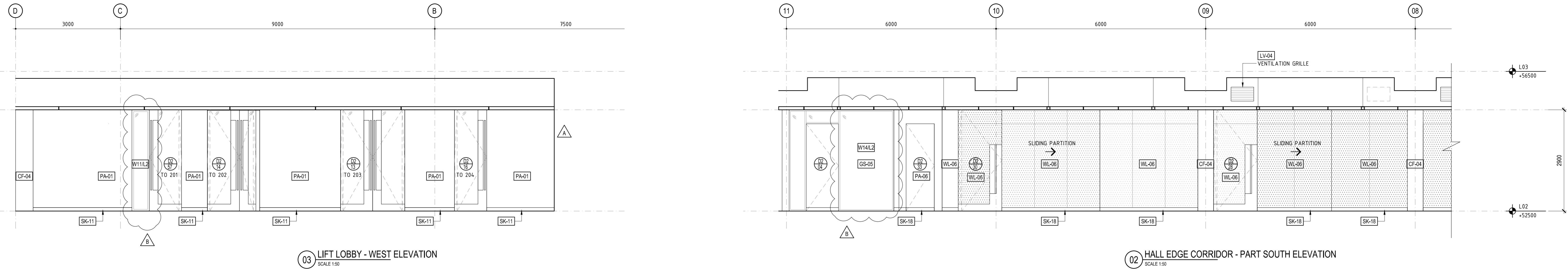
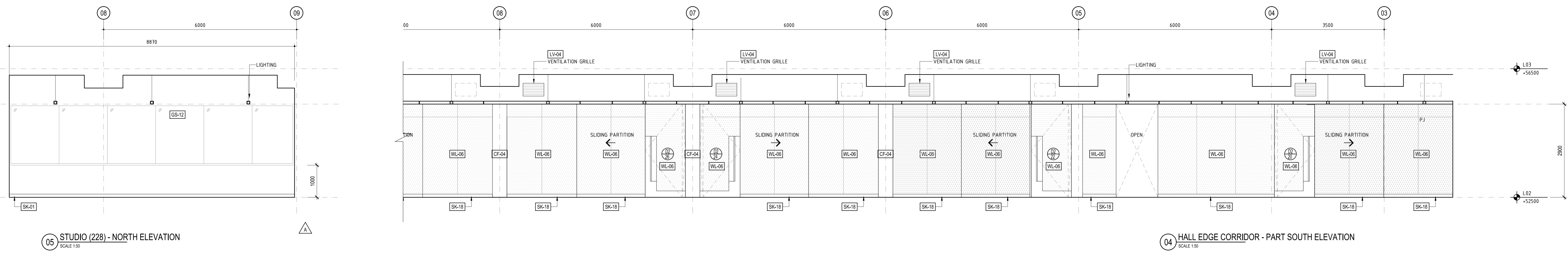
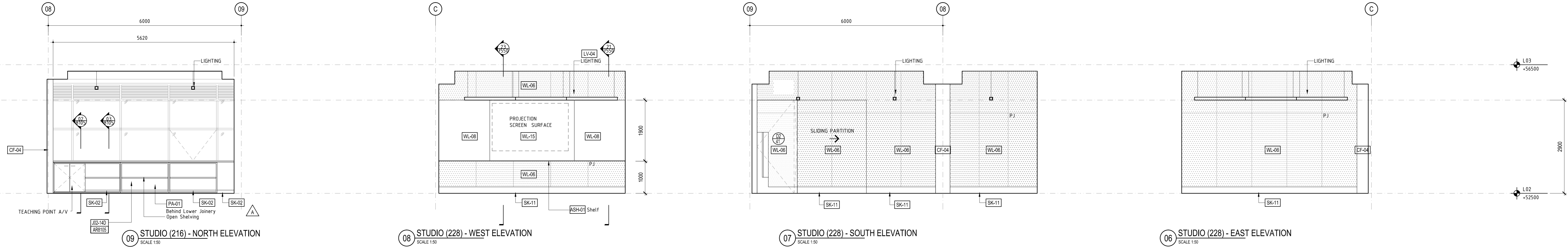
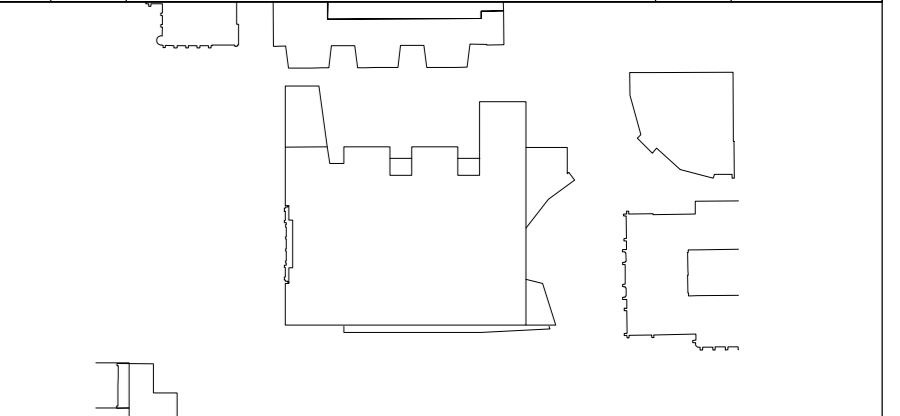


CONTRACTORS SHALL VERIFY ALL DIMENSIONS BEFORE ANY JOB COMMENCES. ALL SHOP DRAWINGS SHALL BE SUBMITTED TO THE SUPERINTENDENT AND MANUFACTURE SHALL NOT COMMENCE PRIOR TO THE RETURN OF UNMARKED SHOP DRAWINGS SIGNED BY THE CONSULTANT. FIGURED DIMENSIONS SHALL TAKE PRECEDENCE OVER SCALED. THIS DRAWING SHOULD BE READ IN CONJUNCTION WITH ALL RELEVANT CONTRACT SPECIFICATIONS AND DRAWINGS COPYRIGHT OF THIS DRAWING IS VESTED IN WARDLE

General Notes



| Rev | Issue | Revision Description | Amd | Date |
|-----|-------|------------------------|-----|----------|
| B | SG | CONSTRUCTION ISSUE | - | 24.01.14 |
| A | SG | CONSTRUCTION ISSUE | - | 19.12.13 |
| 04 | SG | VALUE MANAGEMENT | - | 28.03.13 |
| 03 | JC | 100% CD - TENDER ISSUE | - | 07.09.12 |
| 02 | JC | 90% CD ISSUE | - | 10.08.12 |
| 01 | JC | 75% CD ISSUE | - | 13.07.12 |



NADAAA
 NADAAA
 1320 Washington Street No 2
 Boston Massachusetts 02118 USA
 Telephone: +1 617 442 8332
 Facsimile: +1 688 442 1417
 Email: nada@nadaaa.com

John Wardle Architects
 © 2011 John Wardle Architects
 Level 10, 180 Russell Street, Melbourne Victoria 3000 Australia
 Tel: +613 9654 8700 www.johnwardlearchitects.com

Client: University of Melbourne
 Parkville Campus

Project: Faculty of Architecture
 Building and Planning

Title: L02
 INTERIOR & JOINERY ELEVATIONS

| | | | |
|-------------|--------|----------|------|
| Project No. | 0913 | Scale | 1:50 |
| Drawing No. | AR7160 | Revision | B |

Date: JAN 2014
 Drawn: - Co-Ord: - Check: -
 FILENAME: #####

FOR CONSTRUCTION